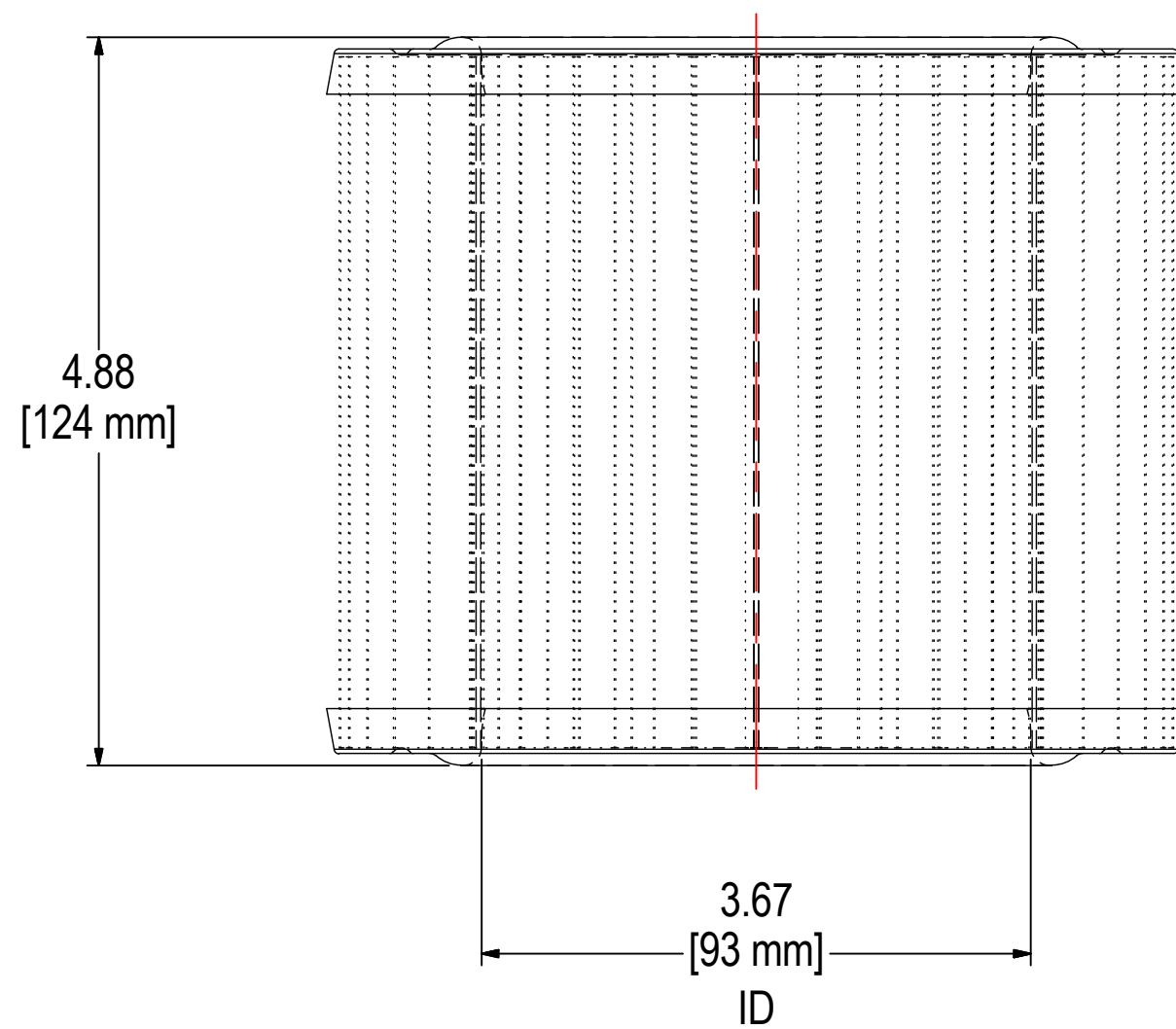
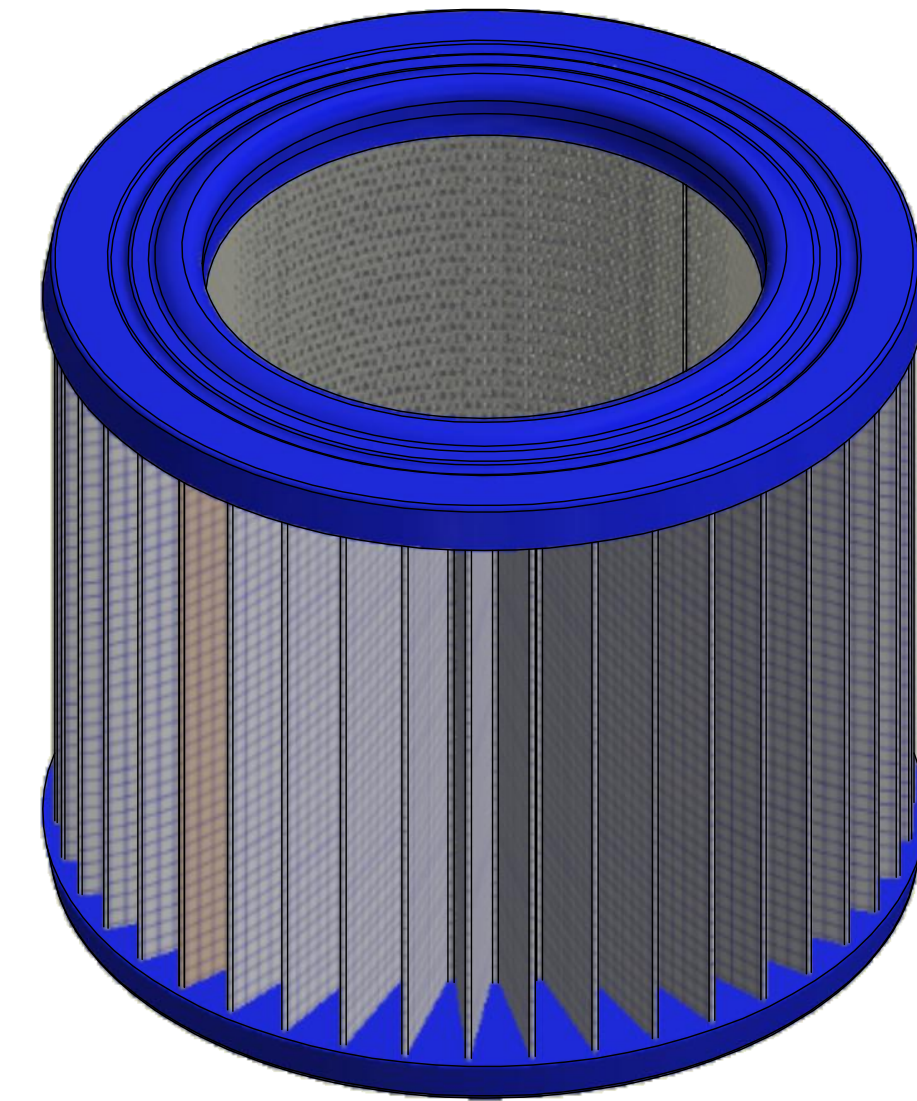
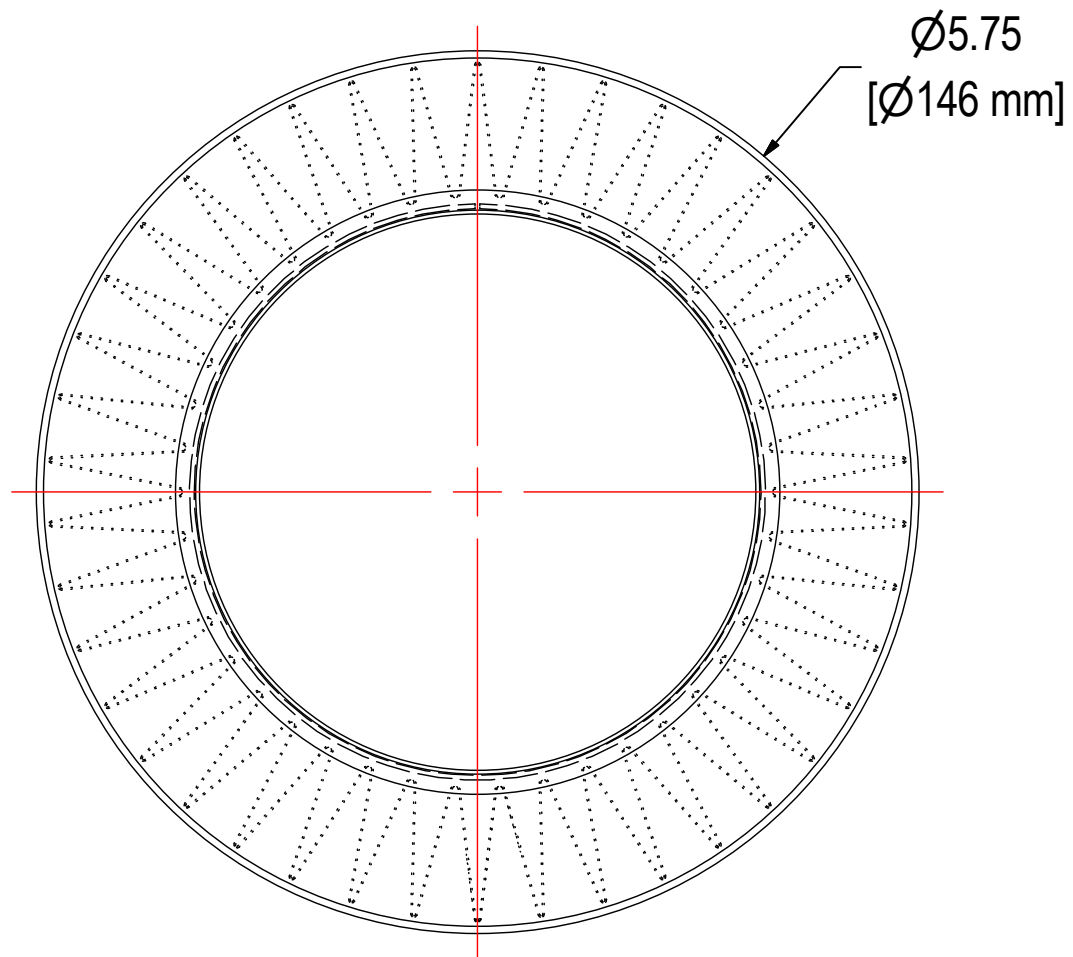


REV	DESCRIPTION	ECN #	CHG BY	DATE	APP'D
A	UPDATED TO 3D		NAS	06/24/19	NAD



ELEMENT SPECS	
PART NUMBER	31
MATERIAL	Polyester
FLOW RATE	195 CFM      331 m <sup>3</sup> /hr
SURFACE AREA	2.3 ft <sup>2</sup> 0.2 m <sup>2</sup>
I.D.	SEE DRAWING
O.D.	SEE DRAWING
HEIGHT	SEE DRAWING